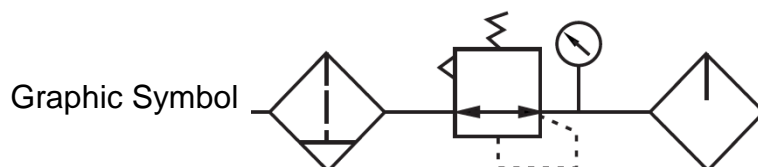


AC Series F.R.L Combination:



1.Ordering Code :

AC	5000	-	10	-	□
↑	↑		↑		↑
Model	Body size		Port size		Blank: Manual
F.R.L Combination	1000		M5: M5X0.8		D:With Autodrain
	2000		01: G1/8		
	3000		02: G1/4		
	4000		03: G3/8		
	5000		04: G1/2		
			06: G3/4		
			10: G1		



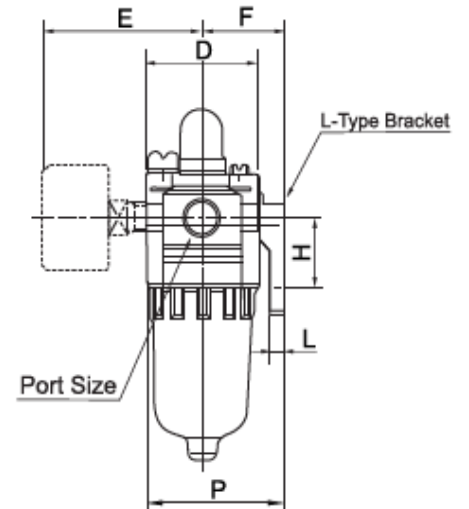
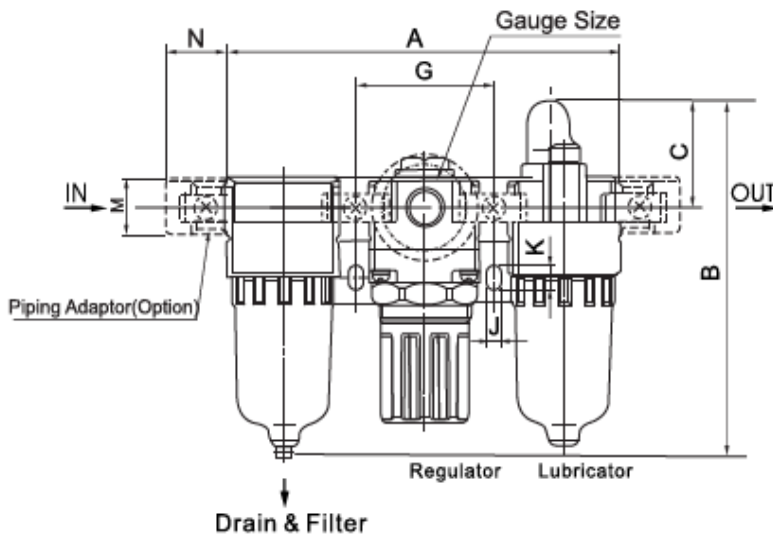
2.Characteristics:

- 1) The AC series is consisted of AF,AR and AL , each unit can be ordered separately.
- 2) The AF with water separate cleans the compressed air of fluid oil,condensation and dirt particles.
For special application,the standard 40µm filter element may easily be replaced by a 25µm or 5µm filter element.
- 3) The AR maintain inputting constant operating pressure despite fluctuation in line pressure&the amount of air consumed.
- 4) The proportional lubricator adds a regulated quantity of oil to the filtered air.
The oil-mist content proportional to the flow and oil can be added during operation.
The oil drip rate is controlled by the adjustable bolt.Normally,1to 12 drops /1000L of the air is sufficient.
- 5) Different thread type can be offered according to customers' requirements, e.g.: PT, NPT etc.

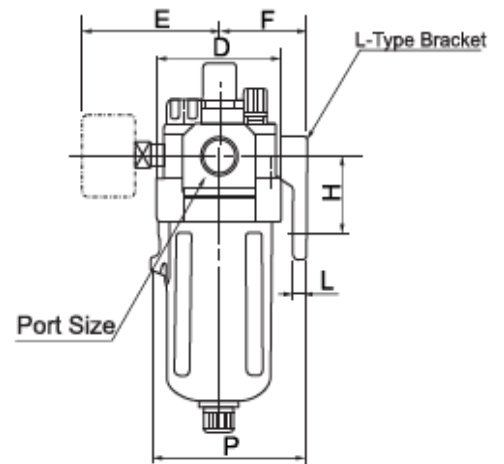
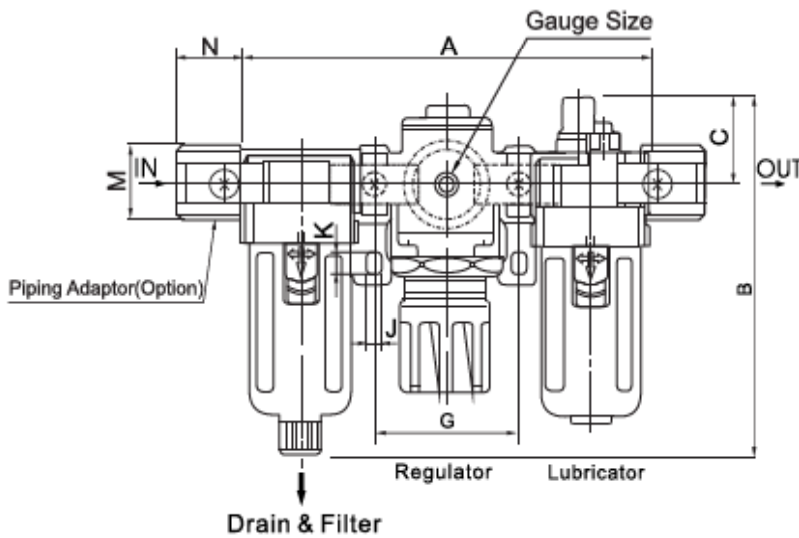
3.Specification:

Model	AC2000-01	AC2000-02	AC3000-02	AC3000-03	AC4000-03	AC4000-04	AC4000-06	AC5000-06	AC5000-10
Port size	G1/8	G1/4	G1/4	G3/8	G3/8	G1/2	G3/4	G3/4	G1
Applicable medium	Compressed Air								
Working pressure range	0.05~0.85 MPa								
Proof pressure	1.5MPa								
Temperature range	0°C~60°C								
Nominal flow rate L/min	500	500	2000	2000	4000	4000	4500	5000	5000
Grade of filtration	40µm(in default),25µm,5µm								
Recommended oil use	ISO VG32 or the same grade oil								
Ccontainer Material	Polycarbonate								
Protective cover	Not available		Available						
Drain Function	Differential drain		Differential drain or Automatic drain						

4. Overall and Dimension Sheet:



AC1000~AC2000



AC3000~AC5000

Model	Port Size(G)	A	B	C	D	E	F	G	H	J	K	L	M	N	P
AC1000	M5	91	84.5	25.5	25	26	25	33	20	4.5	7.5	5	17.5	16	38.5
AC2000	G1/8~G1/4	140	125	38	40	56.8	30	50	24	5.5	8.5	5	22	23	50
AC3000	G1/4~G3/8	181	156.5	38	53	60.8	41	64	35	7	11	7	34.2	26	70.5
AC4000	G3/8~1/2	238	191.5	41	70	65.5	50	84	40	9	13	7	42.2	33	88
AC4000-06	G3/4	153	193	40.5	70	69.5	50	89	40	9	13	7	46.2	36	88
AC5000	G3/4~G1	300	271.5	48	90	75.5	69.8	105	50	12	16	10.5	55.5	40	115