

FESCOLO

Fescolo Pneumatic Co.,Ltd.

Sales Manager: Jeffrey Bu

Postal code: 315100

Tel.: +86 574 89258005

Cell phone.: +86 0 15057491870

Email: sales@fescolo.com

Web.: www.fescolo.com

Add.: #98 Tiangao Lane, Yinzhou, Ningbo, Zhejiang, China



HYDRAULIC QUICK COUPLING

Company Profile

Fescolo pneumatic Co., Ltd. , found in 2001, which specializes in pneumatic products such as air cylinders, solenoid valves, pneumatic control valves, filter regulators, air hose, fittings and so on. We have an excellent technical research department, first-class production technology and equipments. All our workshops are in accordance with 6S principles. At present, we have 18 production lines, more than 2,000 production equipments, annual turnover of more than 20 million US dollars.

Until now, our customers are more than 80 countries around the world. Our major products include air cylinders, solenoid valves, pneumatic control valves, filter regulators, air hoses and fittings. The applications involve industrial automation, medical treatment, sanitary ware, automobile manufacturing, wire and cable, horticulture and agricultural irrigation etc. Furthermore, we accept ODM and OEM customization services, and can design logo and label for our customers.

Our chief technical engineer, Antonio Bonifazi from Italy, had worked as a technical engineer in Aigiro Group and NSG Group for many years. He has fruitful experience and unique technology in mechanical automation industry. Each product from Fescolo will go through 3 inspections at least before shipping, in order to guarantee every product you receive is perfect. The raw materials we use are the best and latest, never recycled or old materials. Basically, all our molds are developed and designed by ourselves, which ensures the stability of product quality. At present, 70% workshops realize automatic production, which greatly increases the production capacity. Compared with last year, the annual production capacity has increased by more than 50%. In addition, there are a large number of workblanks and semi-finished products available in stock. From order confirmation to delivery, usually it takes only 3~10 working days. We have stable freight forwarders by sea, air and train, so that we can deliver the goods to our customers with the best price and service.

Most of our products includes a one-year or 6-month warranty. Many replacement parts are available in stocked they can be shipped within 3days. Our technical sales team experienced and reliable can provide best services from pre-sales to after-sale, as well as technical support and consultancy. We are on a mission to create a green and healthy production environment for our employees, to provide our customers with professional and efficient services, energy-saving and stable quality products.

Warmly welcome and opening up the boundaries of our communication. Sincerely, we are looking forward to your cooperation in the near future. FESCOLO, your trusted partner forever.



CONTENTS

1 ISO7241-1A Series

1.1 FK-A1 Series 07

CLOSE TYPE HYDRAULIC QUICK COUPLING



Compatibility:
PARKER 6600 Series
FASTER ANV Series
AEROQUIP 5600 Series
HANSEN Ha15000 Series

1.3 FK-A3 Series 11

CLOSE TYPE HYDRAULIC QUICK COUPLING



Compatibility:
PARKER 6600 Series
FASTER ANV Series
AEROQUIP 5600 Series
HANSEN Ha15000 Series

1.2 FK-A2 Series 09

CLOSE TYPE HYDRAULIC QUICK COUPLING



Compatibility:
PARKER 6600 Series
FASTER ANV Series
AEROQUIP 5600 Series
HANSEN Ha15000 Series

3 ISO5675 Series

3.1 FK-C1 Series 21

BALL VALVES TYPE HYDRAULIC QUICK COUPLING



Compatibility:
PARKER 4000 Series
FASTER NV/NS Series

3.3 FK-CT Series 25

PUSH AND PULL TYPE HYDRAULIC QUICK COUPLING



Compatibility:
PARKER 4250 Series
FASTER CPV/CNV Series

3.2 FK-C2 Series 23

CLOSE TYPE HYDRAULIC QUICK COUPLING



Compatibility:
PARKER 4000 Series
FASTER NV/NS Series

2 ISO7241-1B Series

2.1 FK-B1 Series 13

CLOSE TYPE HYDRAULIC QUICK COUPLING



Compatibility:
PARKER 60 Series
FASTER HNV Series
AEROQUIP FD45 Series
HANSEN HK Series

2.2 FK-B2 Series 15

MEDIUM-PRESSURE HIGH PERFORMANCE PNEUMATIC AND HYDRAULIC QUICK COUPLING



Compatibility:
PARKER 60 Series
FASTER HNV Series
AEROQUIP FD45 Series
HANSEN HK Series

2.3 KZD Series 17

MEDIUM-PRESSURE HIGH PERFORMANCE PNEUMATIC AND HYDRAULIC QUICK COUPLING



Compatibility:
PARKER 60 Series
FASTER HNV Series
AEROQUIP FD45 Series
HANSEN HK Series

2.4 KZF Series 19

CLOSE TYPE PNEUMATIC AND HYDRAULIC QUICK COUPLING



Compatibility:
PARKER 60 Series
FASTER HNV Series
AEROQUIP FD45 Series
HANSEN HK Series

4 ISO16028 Series

4.1 FK-FF Series 29

FLAT FACE TYPE HYDRAULIC QUICK COUPLING



Compatibility:
PARKER FE Series FF Series
STUCCHI A8008 Series
AEROQUIP Fd89 Series
HANSEN Qa2900 Series

5 Thread Connected Series

5.1 KZE-B Series 31

THREAD LOCKED TYPE HYDRAULIC QUICK COUPLING



Compatibility:
PARKER 3000 Series
FASTER PVVM Series

5.2 FK-CVV Series 33

CLOSE TYPE HYDRAULIC QUICK COUPLING



Compatibility:
PARKER QPHA Series
FASTER PVVM Series

CONTENTS

5 Thread Connected Series

5.3 **FK-1141 Series** 34
 THREAD TYPE HYDRAULIC QUICK COUPLING



Compatibility:
 PARKER 1141 Series

5.4 **FK-VVS Series** 35
 THREAD LOCKED TYPE HYDRAULIC QUICK COUPLING



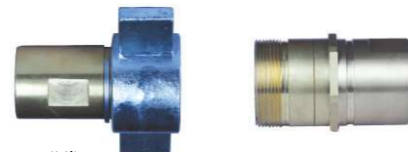
Compatibility:
 PARKER VVS Series

5.5 **FK-L1 Series** 37
 THREAD LOCKED TYPE HYDRAULIC QUICK COUPLING



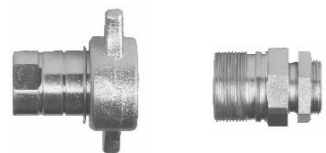
Compatibility:
 GROMELLE 6000 Series
 HOLMBURY TGW Series

5.6 **FK-L2 Series** 39
 THREAD TYPE HYDRAULIC QUICK COUPLING



Compatibility:
 PARKER 6100 Series
 FASTER FB Series
 AEROQUIP 5100 Series
 HANSEN 96 Series

5.7 **FK-L3 Series** 41
 THREAD TYPE HYDRAULIC QUICK COUPLING



Compatibility:
 FASTER CVE Series
 HOLMBURY CVR Series

6 A commonly used Chinese Series

6.1 **Q/ZB275 Series** 42
 CLOSE TYPE HYDRAULIC QUICK COUPLING



6.2 **KZE Series** 43
 CLOSE TYPE HYDRAULIC QUICK COUPLING



7 Non-Valve Series

7.1 **FK-K3 Series** 44
 STRAIGHT-THROUGH HYDRAULIC QUICK COUPLING



Compatibility:
 TEMA 3/8"3800 KEW Series

7.2 **FK-K2 Series** 45
 JAPANESE TYPE HYDRAULIC QUICK COUPLING



Compatibility:
 NITTO TSP Series

7.3 **FK-K1 Series** 47
 AMERICAN TYPE HYDRAULIC QUICK COUPLING



Compatibility:
 PARKER ST Series
 HANSEN ST Series
 FOSTER FST Series

8 High pressure Series

8.1 **FK-TC Series** 49
 CLOSE TYPE SUPER HIGH PRESSURE HYDRAULIC QUICK COUPLING



Compatibility:
 PARKER TC Series

8.2 **FK-VF Series** 50
 CLOSE TYPE HYDRAULIC QUICK COUPLING



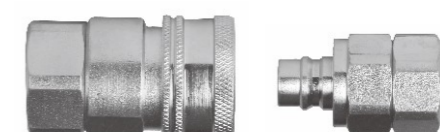
Compatibility:
 FASTER VF Series
 GROMELLE Q-9000 Series

8.3 **FK-HSP Series** 51
 CLOSE TYPE HYDRAULIC QUICK COUPLING



Compatibility:
 NITTO HSPcupla Series

8.4 **FK-TNV Series** 53
 CLOSE TYPE HYDRAULIC QUICK COUPLING



Compatibility:
 FASTER TNV Series

8.5 **KJ Series** 54
 CLOSE TYPE HYDRAULIC QUICK COUPLING



Compatibility:
 PARKER 6100 Series
 FASTER FB Series
 AEROQUIP 5100 Series
 HANSEN 96 Series

8.6 **FK-QC Series** 54
 METER LATHE QUICK COUPLING



Compatibility:
 SWAGelok QC Series

CONTENTS

8 High pressure Series

8.7 **FK-TQ Series** 54
 SUPEHIGH PRESSURE QUICK COUPLING



Compatibility:
 PARKER TC Series

8.8 **FK-LKJI Series** 55
 SUPEHIGH PRESSURE QUICK COUPLING

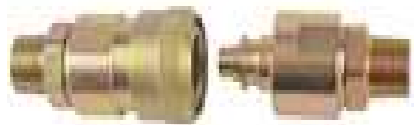


9.3 **FK-MC Series** 59
 MOULD QUICK COUPLING

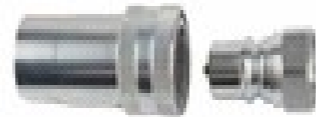


Compatibility:
 PARKER MOLDMATE Series

8.9 **FK-TE Series** 55
 SUPEHIGH PRESSURE QUICK COUPLING



8.10 **FK-YM Series** 56
 QUICK COUPLING FOR COAL INDUSTRY



8.11 **FK-WS Series** 56
 SUPEHIGH PRESSURE QUICK COUPLING



9 Other

9.1 **FK-MA Series** 57
 MOULD QUICK COUPLING



Compatibility:
 PARKER MOLDMATE Series

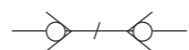
9.2 **FK-MB Series** 58
 MOULD QUICK COUPLING



Compatibility:
 PARKER MOLDMATE Series

FK-A1

CLOSE TYPE HYDRAULIC QUICK COUPLING (ISO7241-1A)



Socket with valve Plug with valve



Body Material	Carbon steel (trivalent chromium)
	Stainless steel (natural color)
	Brass (natural color)

Applications

The FK-A1 Series brings to the industry a proven design for use on construction equipment, forestry equipment, oil tools, Oil equipment, steel mill machinery, and other demanding hydraulic applications.



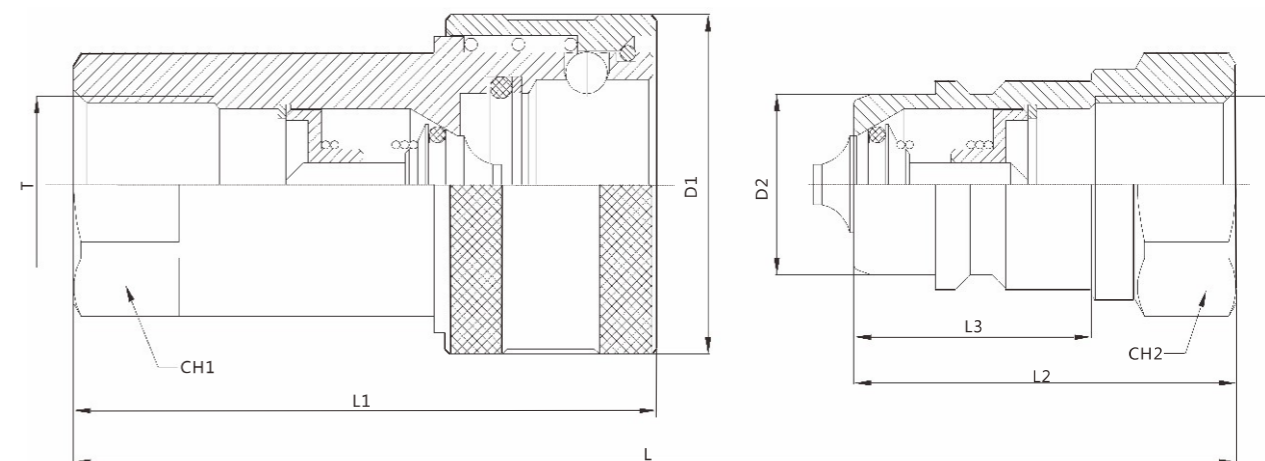
Part Number:

FK-A1 -03 S-PF G3/8

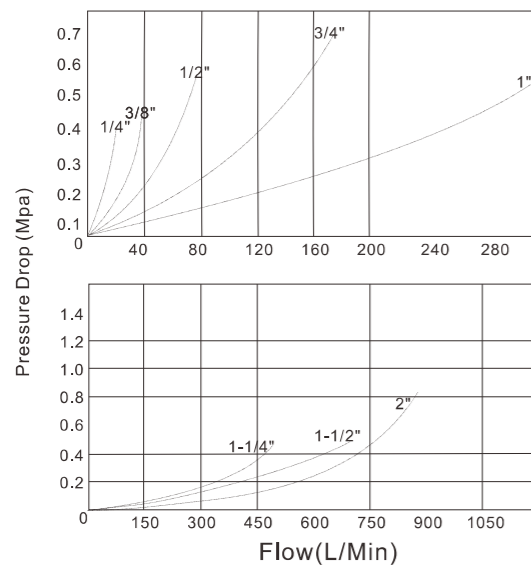
- ◆ Series
- ◆ Code
- ◆ S: Steel
- SS: Stainless steel
- B: Brass
- ◆ P: Nipple
- S: Coupling
- SP: Whole set
- ◆ F: Female thread
- M: Male thread
- ◆ Thread code

Specifications

Body Size(in)	1/4	3/8	1/2	3/4	1	1-1/4	1-1/2	2
Code	02	03	04	06	08	10	12	16
Rated Pressure (Mpa)								
STEEL	34.5	27.6	27.6	20.7	20.7	20.7	13.8	13.7
STAINLESS STEEL316	13.8	13.8	10.4	10.4	7	7	7	7
BRASS	7	7	7	7	7	7	7	7
Rated Flow(L/min)	11.5	23	45.5	106	190	330	830	900
Temperature Range(NBR)	-20°C ~ +100°C							
Temperature Range(FKM)	-20°C ~ +180°C							



Performance Test Fluid:oil-200SUS



Features

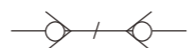
FK-A1 Series couplings feature:

- Poppet valves available to prevent uncoupled leakage.
- Poppet valves open automatically when coupled, within rated working pressure, to keep the flow expedite.
- Critical parts are hardened for durability.
- Dependable ball-locking mechanism holds the mating halves together.
- Socket and plug are precision machined from solid bar stock.
- FK-A1 Series conforms to the standard of ISO7241-1A.
- Compatible with PARKER 6600 Series, FASTER ANV Series, AEROQUIP 5600 Series and HANSEN HA 15000 Series.

PART No .	ISO	L	L1	L2	L3	D1	D2	CH1	CH2	T		
FK-A1-02S-SP	DN6.3	71	50	35.5	15.2	26	11.8	19	19	ZG1/4	G1/4	NPT1/4
FK-A1-03S-SP	DN10	75	56	36.5	21.4	31.5	17.3	22	22	ZG3/8	G3/8	NPT3/8
FK-A1-04S-SP	DN12.5	88	66.5	43.5	27	38.5	20.5	27	27	ZG1/2	G1/2	NPT1/2
FK-A1-06S-SP	DN20	110	80	57	28	48	29.1	34	35	ZG3/4	G3/4	NPT3/4
FK-A1-08S-SP	DN25	120	94	59.5	36	56	34.3	41	41	ZG1	G1	NPT1
FK-A1-10S-SP	DN31.5	150	117	75	46	69.5	45	50	50	ZG1-1/4	G1-1/4	NPT1-1/4
FK-A1-12S-SP	DN40	167	133	83.5	52	84	55	60	60	ZG1-1/2	G1-1/2	NPT1-1/2
FK-A1-16S-SP	DN50	211	165	105	64	99	65.1	75	75	ZG2	G2	NPT2

FK-A2

CLOSE TYPE HYDRAULIC QUICK COUPLING (ISO7241-1A)



Socket with valve Plug with valve



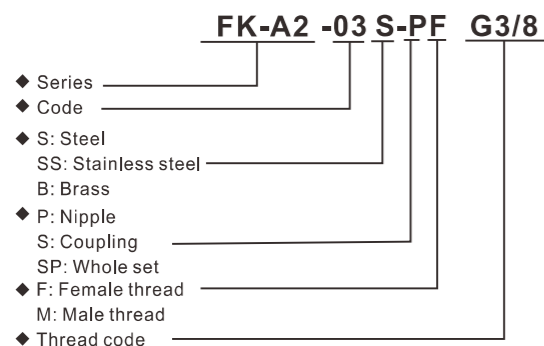
Body Material	Carbon steel (trivalent chromium)
	Stainless steel (natural color)
	Brass (natural color)

Applications

The FK-A2 Series brings to the industry a proven design for use on construction equipment, forestry equipment, agricultural machinery, oil tools, Oil equipment, steel mill machinery, and other demanding hydraulic applications.



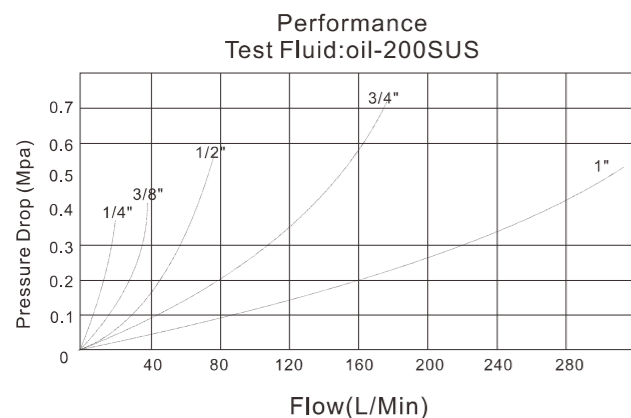
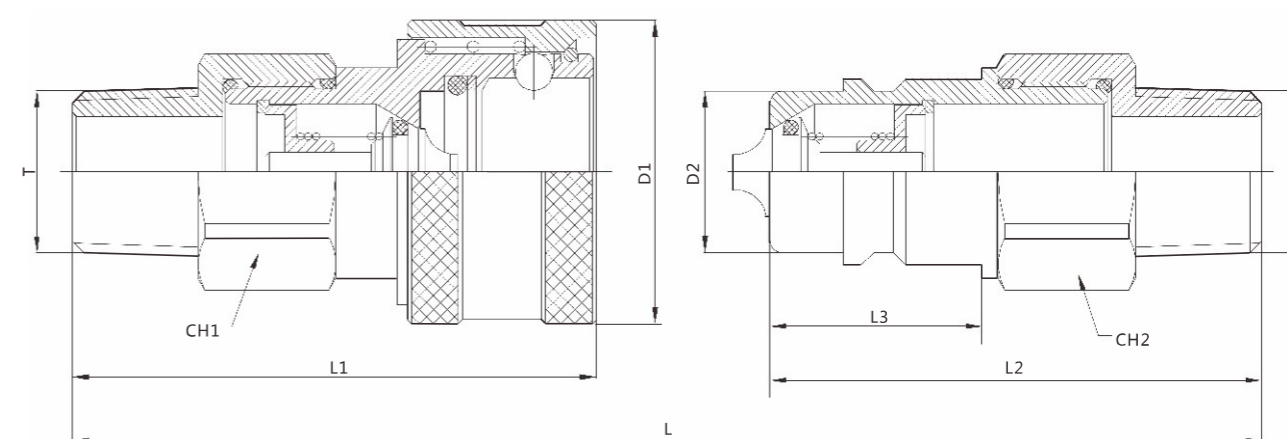
Part Number:



Features

FK-A2 Series couplings feature:

- Poppet valves available to prevent uncoupled leakage.
- Poppet valves open automatically when coupled, within rated working pressure, to keep the flow expeditely.
- Critical parts are hardened for durability.
- Dependable ball-locking mechanism holds the mating halves together.
- Socket and plug are precision machined from solid bar stock.
- FK-A2 Series conforms to the standard of ISO7241-1A.
- Compatible with PARKER 6600 Series, FASTER ANV Series, AEROQUIP 5600 Series and HANSEN HA 15000 Series.



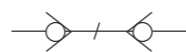
Specifications

Body Size(in)	1/4	3/8	1/2	3/4	1
Code	02	03	04	06	08
Rated Pressure (Mpa)					
STEEL	34.5	27.6	27.6	20.7	20.7
STAINESS STEEL316	13.8	13.8	10.4	10.4	7
BRASS	7	7	7	7	7
Rated Flow(L/min)	11.5	23	45.5	106	190
Temperature Range(NBR)	-20°C ~ +100°C				
Temperature Range(FKM)	-20°C ~+ 180°C				

PART No .	ISO	L	L1	L2	L3	D1	D2	CH1	CH2	T		
FK-A2-02S-SP	DN6.3	85	53.5	46	15.2	26	11.8	22	22	ZG1/4	G1/4	NPT1/4
FK-A2-03S-SP	DN10	93	57.5	53	21.4	31.5	17.3	27	27	ZG3/8	G3/8	NPT3/8
FK-A2-04S-SP	DN12.5	107	66.5	62.5	27	38.5	20.5	27	27	ZG1/2	G1/2	NPT1/2
FK-A2-06S-SP	DN20	121	81.5	66.5	28	48	29.1	36	36	ZG3/4	G3/4	NPT3/4
FK-A2-08S-SP	DN25	141	96	79	36	56	34.3	41	41	ZG1	G1	NPT1

FK-A3

CLOSE TYPE HYDRAULIC QUICK COUPLING (ISO7241-1A)



Socket with valve Plug with valve



Body Material	Carbon steel (trivalent chromium)
	Stainless steel (natural color)
	Brass (natural color)

Applications

The FK-A3 Series brings to the industry a proven design for use on construction equipment, forestry equipment, agricultural machinery, oil tools, Oil equipment, steel mill machinery, and other demanding hydraulic applications.



Part Number:

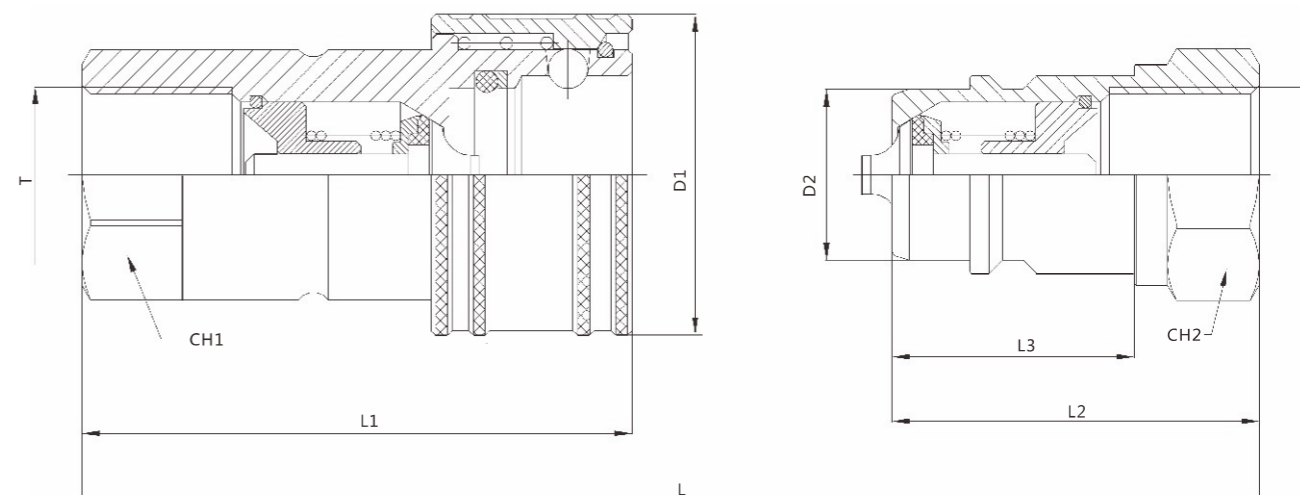
FK-A3 -03 S-PF G3/8

- ◆ Series
- ◆ Code
- ◆ S: Steel
SS: Stainless steel
B: Brass
- ◆ P: Nipple
S: Coupling
SP: Whole set
- ◆ F: Female thread
M: Male thread
- ◆ Thread code

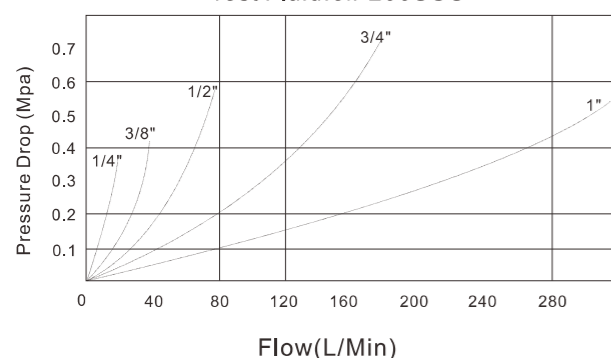
Features

FK-A3 Series couplings feature:

- New valve design, it can resistance damage from high flow and the pressure of impulse that providing advanced performance.
- Poppet valves available to prevent uncoupled leakage.
- Poppet valves open automatically when coupled, within rated working pressure, to keep the flow expeditely.
- Critical parts are hardened for durability.
- Dependable ball-locking mechanism holds the mating halves together.
- Socket and plug are precision machined from solid bastock.
- FK-A3 Series conforms to the standard of ISO7241-1A.
- Compatible with PARKER 6600 Series, FASTERANV Series, AEROQUIP 5600 Series and HANSEN HA 15000 Series.



Performance Test Fluid:oil-200SUS



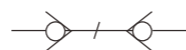
Specifications

Body Size(in)	1/4	3/8	1/2	3/4	1
Code	02	03	04	06	08
Rated Pressure (Mpa)					
STEEL	34.5	27.6	27.6	20.7	20.7
STAINESS STEEL316	13.8	13.8	10.4	10.4	7
BRASS	7	7	7	7	7
Rated Flow(L/min)	11.5	23	45.5	106	190
Temperature Range(NBR)	-20°C ~ +100°C				
Temperature Range(FKM)	-20°C ~ +180°C				

PART No .	ISO	L	L1	L2	L3	D1	D2	CH1	CH2	T		
FK-A3-02S-SP	DN6.3	71	50	35.5	15	26	11.8	19	19	ZG1/4	G1/4	NPT1/4
FK-A3-03S-SP	DN10	79	57	39	19	31.5	17.3	22	22	ZG3/8	G3/8	NPT3/8
FK-A3-04S-SP	DN12.5	88	66	44	29	38.5	20.6	27	27	ZG1/2	G1/2	NPT1/2
FK-A3-06S-SP	DN20	110	83	55	29	48	29.1	34	34	ZG3/4	G3/4	NPT3/4
FK-A3-08S-SP	DN25	133	100	66	35	56	34.3	41	41	ZG1	G1	NPT1

FK-B1

CLOSE TYPE HYDRAULIC QUICK COUPLING (ISO7241-1B)



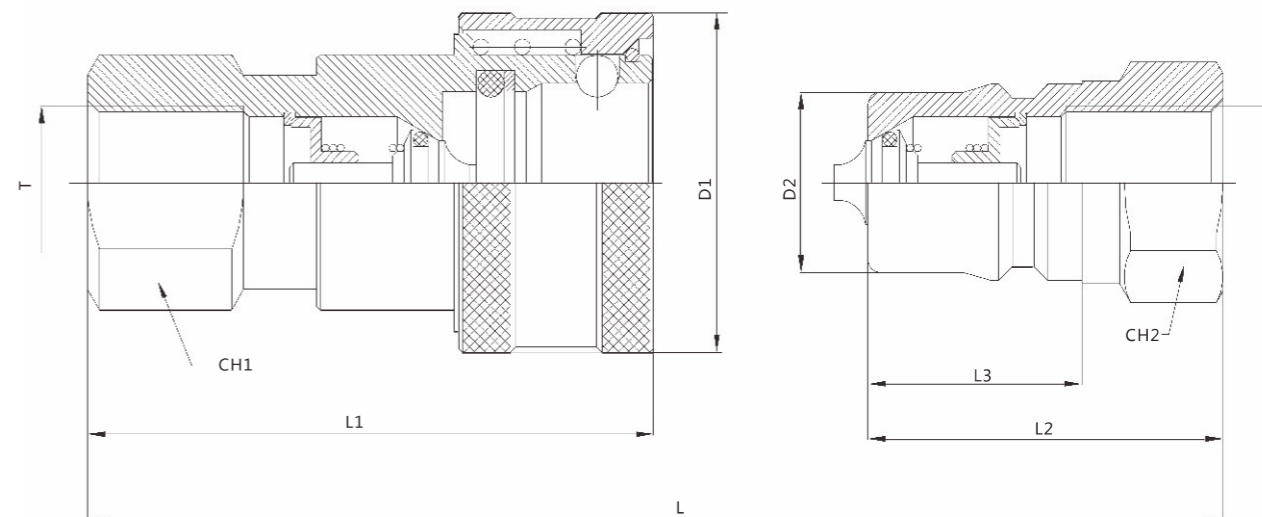
Socket with valve Plug with valve



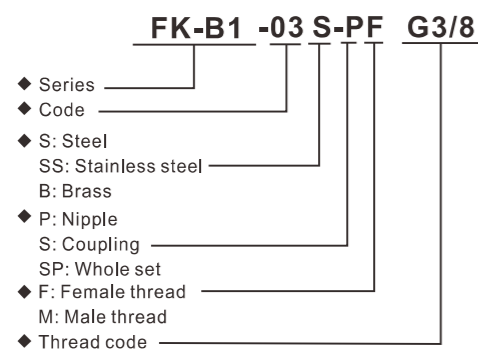
Body Material	Carbon steel (trivalent chromium)
	Stainless steel (natural color)
	Brass (natural color)

Applications

FK-B1 couplings, are used across the spectrum of hydraulic applications. These Double Shut-Off couplings can be found anywhere that fluid transfer lines need to be connected and disconnected for operation or maintenance of equipment, and a loss of fluid is undesirable. The FK-B1 Series brings to the industry a proven design for use on construction equipment, forestry equipment, oil tools Oil equipment, steel mill machinery, and other demanding hydraulic applications.



Part Number:

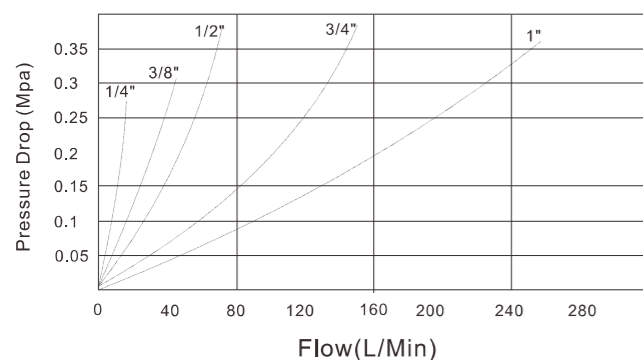


Features

FK-B1 Series couplings feature:

- Poppet valves available to prevent uncoupled leakage.
- Poppet valves open automatically when coupled, within rated working pressure, to keep the flow expeditely.
- Critical parts are hardened for durability.
- Dependable ball-locking mechanism holds the mating halves together.
- Socket and plug are precision machined from solid bar stock.
- FK-B1 Series conforms to the standard of ISO7241-1B.
- Compatible with PARKER 60 Series, FASTER HNV Series, AEROQUIP FD45 Series and HANSEN HK Series.

Performance Test Fluid:oil-200SUS



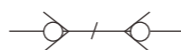
Specifications

Body Size(in)	1/8	1/4	3/8	1/2	3/4	1
Code	01	02	03	04	06	08
Rated Pressure (Mpa)						
STEEL	34.5	34.5	27.6	27.6	20.7	20.7
STAINESS STEEL316	13.8	13.8	13.8	10.4	10.4	7
BRASS	7	7	7	7	7	7
Rated Flow(L/min)	3.8	11.5	23	45.5	106	190
Temperature Range(NBR)	-20°C~+100°C					
Temperature Range(FKM)	-20°C~+180°C					

PART No .	ISO	L	L1	L2	L3	D1	D2	CH1	CH2	T		
FK-B1-01S-SP	DN5	59	48	29	19	24	10.9	17	14	ZG1/8	G1/8	NPT1/8
FK-B1-02S-SP	DN6.3	72	58	36	22.8	28.5	14.2	19	19	ZG1/4	G1/4	NPT1/4
FK-B1-03S-SP	DN10	80	65	40	25	35	19.1	24	24	ZG3/8	G3/8	NPT3/8
FK-B1-04S-SP	DN12.5	93	74	46.5	28	44.5	23.6	28.5	28.5	ZG1/2	G1/2	NPT1/2
FK-B1-06S-SP	DN20	113	92	56	36	54	31.5	36	36	ZG3/4	G3/4	NPT3/4
FK-B1-08S-SP	DN25	127	103	63	45	63.5	37.8	41	41	ZG1	G1	NPT1

FK-B2

MEDIUM-PRESSURE HIGH PERFORMANCE PNEUMATIC AND HYDRAULIC QUICK COUPLING (ISO7241-1B)



Socket with valve Plug with valve



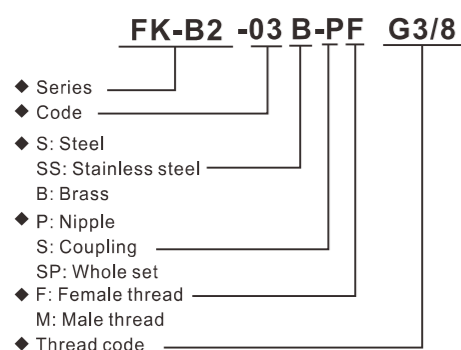
Body Material	Carbon steel (trivalent chromium)
	Stainless steel (natural color)
	Brass (natural color)

Applications

FK-B2 couplings, are used across the spectrum of hydraulic applications. These Double Shut-Off couplings can be found anywhere that fluid transfer lines need to be connected and disconnected for operation or maintenance of equipment, and a loss of fluid is undesirable. The GT-B2 Series brings to the industry a proven design for use on construction equipment, forestry equipment, oil tools, steel mill machinery, and other demanding hydraulic applications.



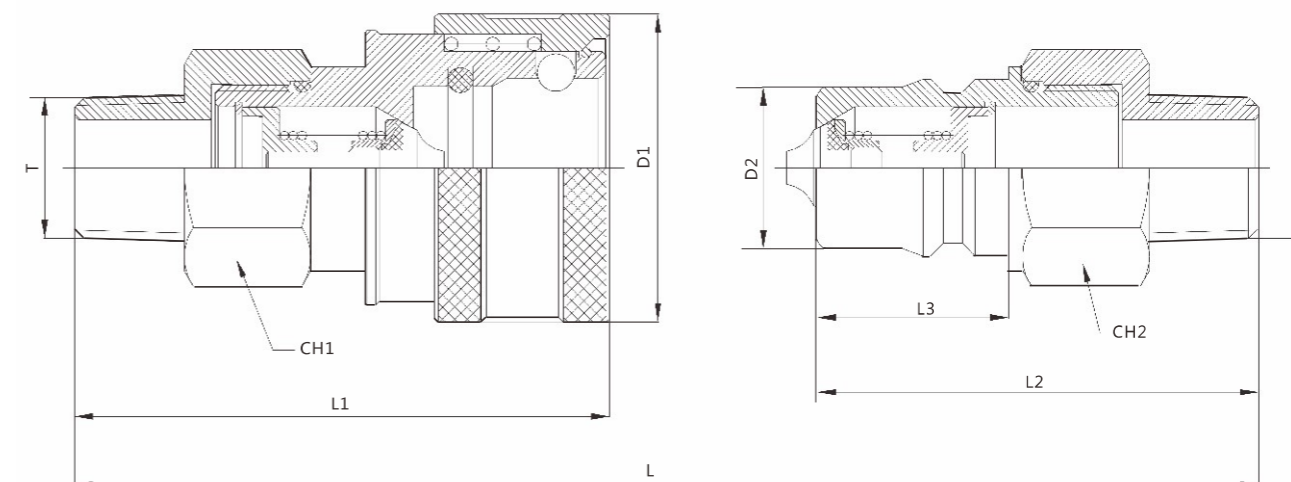
Part Number:



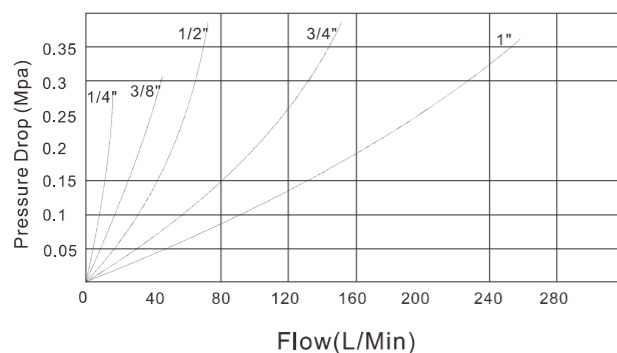
Features

FK-B2 Series couplings feature:

- Poppet valves available to prevent uncoupled leakage.
- Poppet valves open automatically when coupled, within rated working pressure, to keep the flow expeditely.
- Critical parts are hardened for durability.
- Dependable ball-locking mechanism holds the mating halves together.
- Socket and plug are precision machined from solid bar stock.
- FK-B2 Series conforms to the standard of ISO7241-1B.
- Compatible with PARKER 60 Series, FASTER HNV Series, AEROQUIP FD45 Series and HANSEN HK Series.



Performance Test Fluid:oil-200SUS



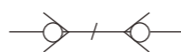
Specifications

Body Size(in)	1/4	3/8	1/2	3/4	1
Code	02	03	04	06	08
Rated Pressure (Mpa)					
STEEL	34.5	27.6	27.6	20.7	20.7
STAINNESS STEEL316	13.8	13.8	10.4	10.4	7
BRASS	7	7	7	7	7
Rated Flow(L/min)	11.5	23	45.5	106	190
Temperature Range(NBR)	-20°C ~ +100°C				
Temperature Range(FKM)	-20°C ~ +180°C				

PART No .	ISO	L	L1	L2	L3	D1	D2	CH1	CH2	T		
FK-B2-02B-SP	DN6.3	94	62.5	53	22.5	27	14.2	22	22	ZG1/4	G1/4	NPT1/4
FK-B2-03B-SP	DN10	99	68.5	55.5	25	35	19.1	27	27	ZG3/8	G3/8	NPT3/8
FK-B2-04B-SP	DN12.5	115	78	64.5	28	45	23.6	30	30	ZG1/2	G1/2	NPT1/2
FK-B2-06B-SP	DN20	133	93.5	74.5	36	54	31.5	36	36	ZG3/4	G3/4	NPT3/4
FK-B2-08B-SP	DN25	137	98	78	40	64.5	37.8	41	41	ZG1	G1	NPT1

KZD

MEDIUM-PRESSURE HIGH PERFORMANCE PNEUMATIC AND HYDRAULIC QUICKCOUPLING (ISO7241-1B) BRASS



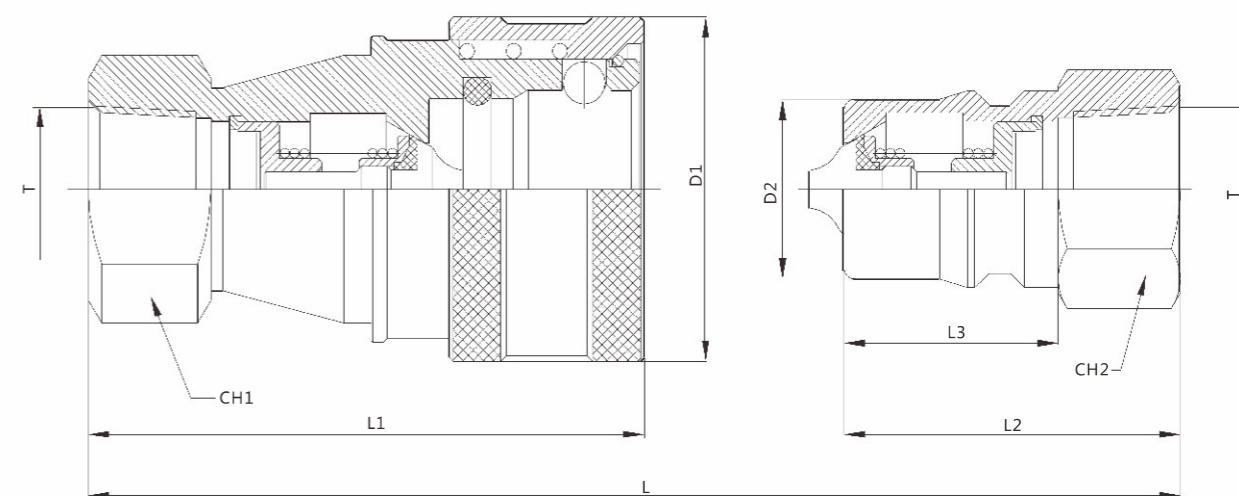
Socket with valve Plug with valve



Body Material	Brass (natural color)
---------------	-----------------------

Applications

KZD couplings, are used across the spectrum of hydraulic applications. These Double Shut-Off couplings can be found anywhere that fluid transfer lines need to be connected and disconnected for operation or maintenance of equipment, and a loss of fluid is undesirable. The KZD couplings primarily used with hydraulic fluid, are also used with chemical water, steam, and some gases.



Part Number:

KZD- 03 - PF G3/8

- ◆ Series
- ◆ Code
- ◆ P: Nipple
- ◆ S: Coupling
- ◆ SP: Whole set
- ◆ F: Female thread
- ◆ M: Male thread
- ◆ Thread code

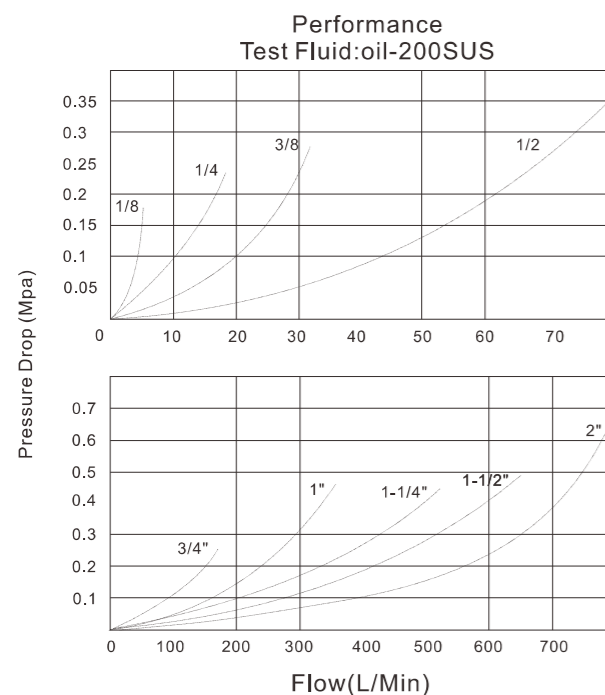
Features

KZD Series couplings feature:

- Poppet valves available to prevent uncoupled leakage.
- Poppet valves open automatically when coupled, within rated working pressure, to keep the flow expeditely.
- Critical parts are hardened for durability.
- Dependable ball-locking mechanism holds the mating halves together.
- Socket and plug are precision machined from solid bar stock.
- KZD Series conforms to the standard of ISO7241-1B.
- Compatible with PARKER 60 Series, FASTER HNV Series, AEROQUIP FD45 Series and HANSEN HK Series.

Specifications

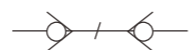
Body Size(in)	1/8	1/4	3/8	1/2	3/4	1	1-1/4	1-1/2	2
Code	01	02	03	04	06	08	10	12	16
Rated pressure (Mpa)	7	7	7	7	7	7	5.5	5.5	5.5
Rated Flow(L/min)	3.8	11.5	23	45.5	106	190	330	830	900
Temperature Range(NBR)	-20°C ~ +100°C								



PART NO.	ISO	L	L1	L2	L3	D1	D2	CH1	CH2	T		
KZD-01-SP	DN5	59	48	29	19	24	10.9	14	14	ZG1/8	G1/8	NPT1/8
KZD-02-SP	DN6.3	72	58	36	22.5	27	14.2	19	17	ZG1/4	G1/4	NPT1/4
KZD-03-SP	DN10	80	65	40	25	35	19.1	22	22	ZG3/8	G3/8	NPT3/8
KZD-04-SP	DN12.5	89	72.5	44	28	45	23.6	29	27	ZG1/2	G1/2	NPT1/2
KZD-06-SP	DN20	105	88	52	36	54	31.5	36	36	ZG3/4	G3/4	NPT3/4
KZD-08-SP	DN25	125	102	62	40	64.5	37.8	41	41	ZG1	G1	NPT1
KZD-10-SP	DN31.5	141	115	70	45	69	45	54	52	ZG1-1/4	G1-1/4	NPT1-1/4
KZD-12-SP	DN40	150	124	75	49	79	50	60	60	ZG1-1/2	G1-1/2	NPT1-1/2
KZD-16-SP	DN50	160	132	80	52	102	70	77	77	ZG2	G2	NPT2

KZF

CLOSE TYPE PNEUMATIC AND HYDRAULIC QUICK COUPLING
(ISO7241-1B) STAINLESS STEEL304



Socket with valve Plug with valve



Body Material	Stainless steel (natural color)
----------------------	---------------------------------

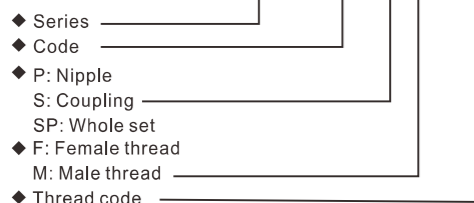
Applications

KZF couplings, are used across the spectrum of hydraulic applications. These Double Shut-Off couplings can be found anywhere that fluid transfer lines need to be connected and disconnected for operation or maintenance of equipment, and a loss of fluid is undesirable. KZF couplings primarily used with hydraulic fluid, are also used with chemicals, water, steam and some gases.



Part Number:

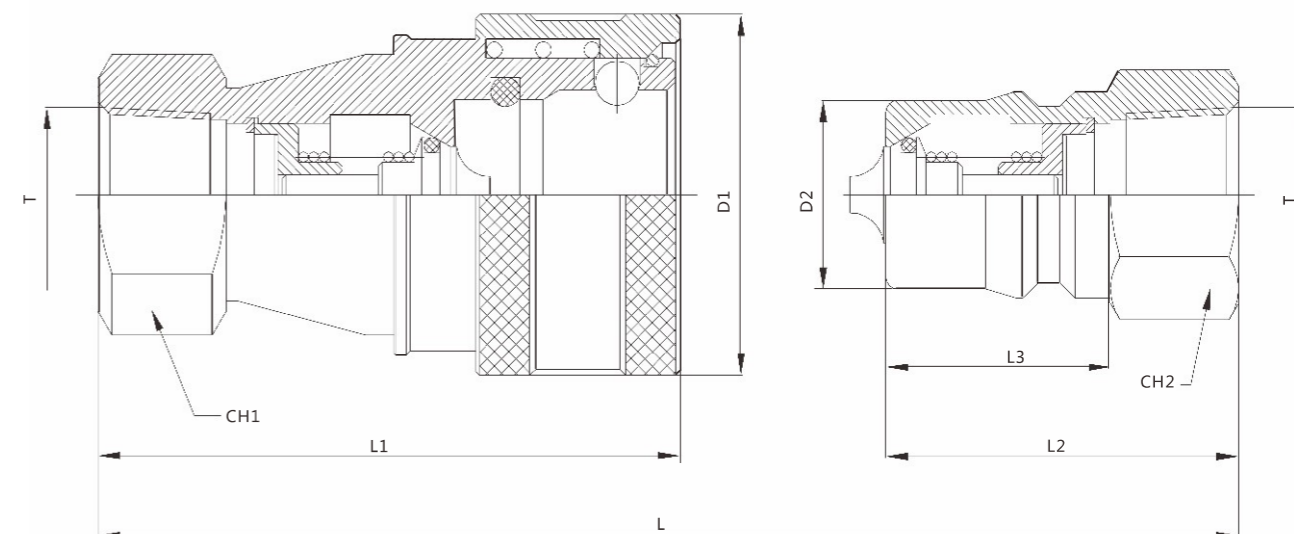
KZF-03-PF G3/8



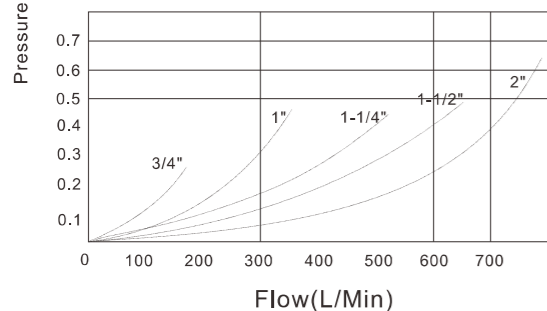
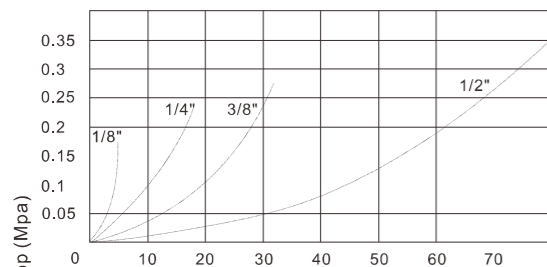
Features

KZF Series couplings feature :

- Poppet valves available to prevent uncoupled leakage.
- Poppet valves open automatically when coupled, within rated working pressure, to keep the flow expediently.
- Dependable ball-locking mechanism holds the mating halves together.
- Socket and plug are precision machined from solid bar stock.
- KZF Series conforms to the standard of ISO7241-1B.
- Compatible with PARKER 60 Series, FASTER HNV Series, AEROQUIP FD45 Series and HANSEN HK Series.



Performance Test Fluid:oil-200SUS



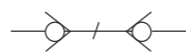
Specifications

Body Size(in)	1/8	1/4	3/8	1/2	3/4	1	1-1/4	1-1/2	2
Code	01	02	03	04	06	08	10	12	16
Rated Pressure (Mpa)	13.8	13.8	10.4	10.4	10.4	7	7	7	7
Rated Flow(L/min)	3.8	11.5	23	45.5	106	190	330	830	900
Temperature Range(NBR)	-20°C ~+180°C								

PART NO.	ISO	L	L1	L2	L3	D1	D2	CH1	CH2	T		
KZF-01-SP	DN5	59	48	29	19	24	10.9	14	14	ZG1/8	G1/8	NPT1/8
KZF-02-SP	DN6.3	72	58	36	22.5	27	14.2	19	17	ZG1/4	G1/4	NPT1/4
KZF-03-SP	DN10	80	65	40	25	35	19.1	22	22	ZG3/8	G3/8	NPT3/8
KZF-04-SP	DN12.5	89	72.5	44	28	45	23.6	29	27	ZG1/2	G1/2	NPT1/2
KZF-06-SP	DN20	105	88	52	36	54	31.5	36	36	ZG3/4	G3/4	NPT3/4
KZF-08-SP	DN25	125	102	62	40	64.5	37.8	41	41	ZG1	G1	NPT1
KZF-10-SP	DN31.5	141	115	70	45	68	45	54	52	ZG1-1/4	G1-1/4	NPT1-1/4
KZF-12-SP	DN40	150	124	75	49	78	50	60	60	ZG1-1/2	G1-1/2	NPT1-1/2
KZF-16-SP	DN50	160	132	80	52	102	70	77	77	ZG2	G2	NPT2

FK-C1

BALL VALVES TYPE HYDRAULIC QUICK COUPLING (ISO5675)



Socket with valve Plug with valve



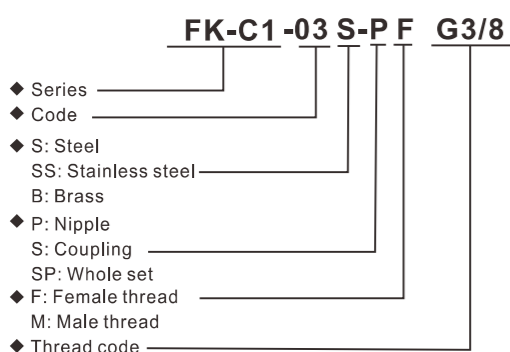
Body Material	Carbon steel (trivalent chromium)
	Stainless steel (natural color)
	Brass (natural color)

Applications

The FK-C1 Series brings to the industry a proven design for use on construction equipment, forestry equipment, oil tools, steel mill machinery, and other demanding hydraulic applications.



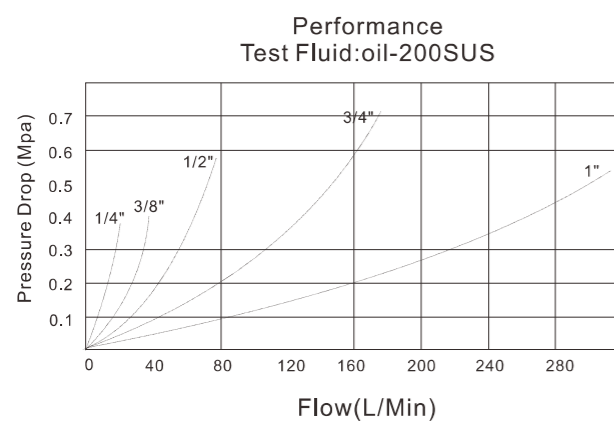
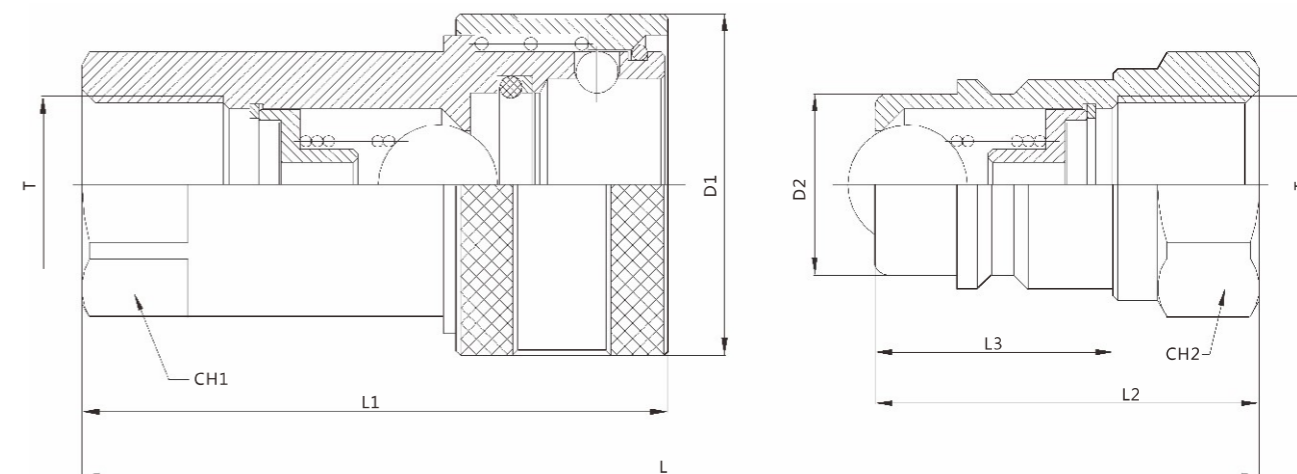
Part Number:



Features

FK-C1 Series couplings feature:

- Poppet valves available to prevent uncoupled leakage.
- Poppet valves open automatically when coupled, within rated working pressure, to keep the flow expeditely.
- Hard, chrome alloy balls are used for valving. It be loaded on the valve seat by the springs.
- The valve provides a metal-to-metal seal between the ball and coined seat.
- Critical parts are hardened for durability.
- Dependable ball-locking mechanism holds the mating halves together.
- Socket and plug are precision machined from solid bar stock.
- FK-C1 Series conforms to the standard of ISO5675.
- Compatible with PARKER 4000 Series, FASTER NV/NS Series.



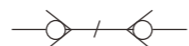
Specifications

Body Size(in)	1/4	3/8	1/2	3/4	1
Code	02	03	04	06	08
Rated Pressure(Mpa)					
STEEL	34.5	27.6	27.6	20.7	20.7
STAINESS STEEL	13.8	13.8	10.4	10.4	7
BRASS	7	7	7	7	7
Rated Flow(L/min)	11.5	23	45.5	106	190
Temperature Range(NBR)	-20°C ~ +100°C				
Temperature Range(FKM)	-20°C ~ +180°C				

PART No .	ISO	L	L1	L2	L3	D1	D2	CH1	CH2	T	
FK-C1-02S-SP	DN6.3	72	53.5	37.5	18.5	27.5	14.2	19	19	ZG1/4	G1/4 NPT1/4
FK-C1-03S-SP	DN10	83	63	40	22	34	19	24	24	ZG3/8	G3/8 NPT3/8
FK-C1-04S-SP	DN12.5	88	66.5	43.5	27	38.5	20.5	27	27	ZG1/2	G1/2 NPT1/2
FK-C1-06S-SP	DN20	108	82	53.5	32	48	28	34	34	ZG3/4	G3/4 NPT3/4
FK-C1-08S-SP	DN25	127	96.5	63	38	56	31.3	41	41	ZG1	G1 NPT1

FK-C2

CLOSE TYPE HYDRAULIC QUICK COUPLING (ISO5675) STEEL



Socket with valve Plug with valve



Body Material Carbon steel (trivalent chromium)

Applications

The FK-C2 Series brings to the industry a proven design for use on construction equipment, forestry equipment, oil tools, Oil equipment, steel mill machinery, and other demanding hydraulic applications.



Part Number:

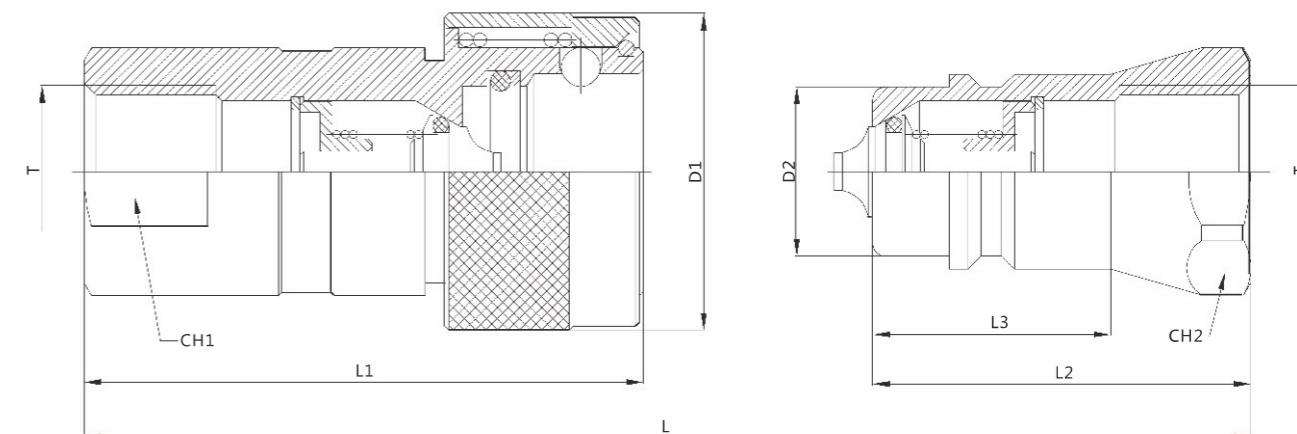
FK-C2 -03 -PF G3/8

- ◆ Series
- ◆ Code
- ◆ P: Nipple
- ◆ S: Coupling
- ◆ SP: Whole set
- ◆ F: Female thread
- ◆ M: Male thread
- ◆ Thread code

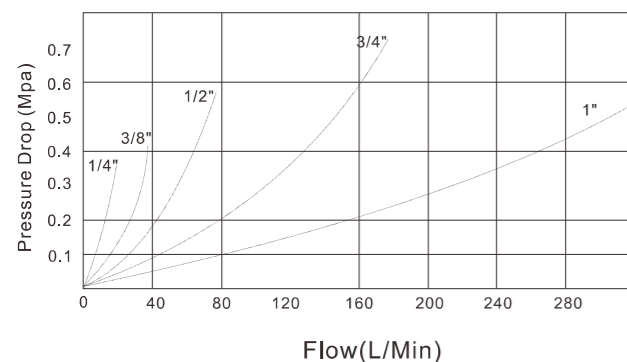
Features

FK-C2 Series couplings feature:

- Poppet valves available to prevent uncoupled leakage.
- Poppet valves open automatically when coupled, within rated working pressure, to keep the flow expeditely.
- Critical parts are hardened for durability.
- Dependable ball-locking mechanism holds the mating halves together.
- Socket and plug are precision machined from solid bar stock.
- FK-C2 Series conforms to the standard of ISO5675.
- Compatible with PARKER 4000 Series, FASTER NV/NS Series.



Performance Test Fluid:oil-200SUS



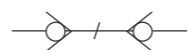
Specifications

Body Size(in)	1/4	3/8	1/2	3/4	1
Code	02	03	04	06	08
Rated Pressure(Mpa)	34.5	27.6	27.6	20.7	20.7
Rated Flow(L/min)	11.5	23	45.5	106	190
Temperature Range(NBR)	-20°C ~ +100°C				

PART No .	ISO	L	L1	L2	L3	D1	D2	CH1	CH2	T		
FK-C2-02-SP	DN6.3	74	55.5	36	18.5	27.5	14.2	22.2	19	ZG1/4	G1/4	NPT1/4
FK-C2-03-SP	DN10	80	60.5	40	22	34	19	24	24	ZG3/8	G3/8	NPT3/8
FK-C2-04-SP	DN12.5	92	58	46	29	38.5	20.5	27	27	ZG1/2	G1/2	NPT1/2
FK-C2-06-SP	DN20	102	83	51	28.5	47.5	26.9	35	33.3	ZG3/4	G3/4	NPT3/4
FK-C2-08-SP	DN25	129	97.5	64	34	56	31.3	41	41	ZG1	G1	NPT1

FK-CT

PUSH AND PULL TYPE HYDRAULIC QUICK COUPLING (ISO5675) STEEL



Socket with valve Plug with valve



Body Material Carbon steel (trivalent chromium)

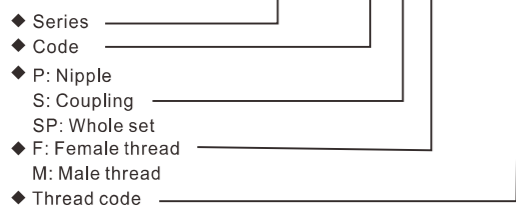
Applications

The FK-CT Series brings to the industry a proven design for use on construction equipment, forestry equipment, agricultural machinery, and oil tools.



Part Number:

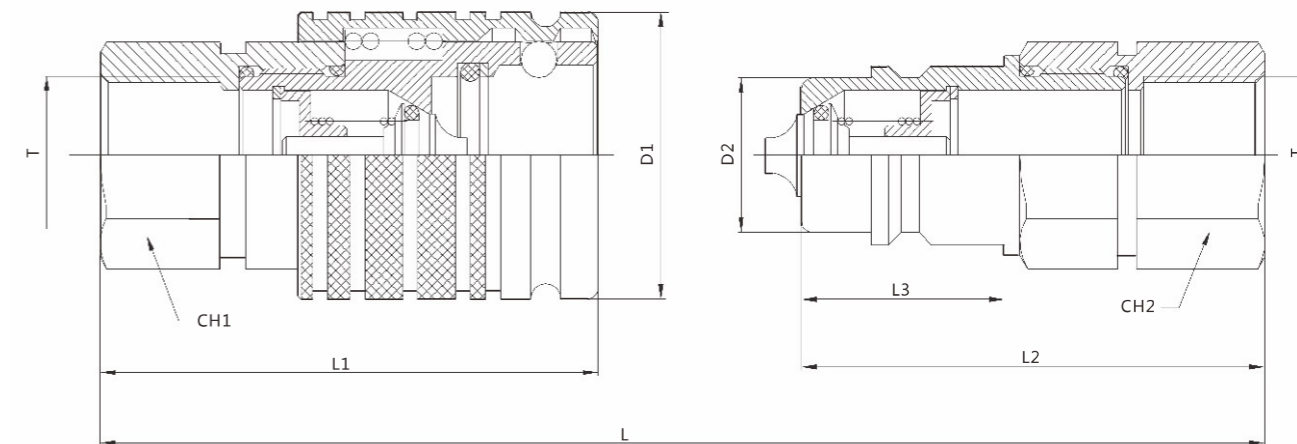
FK-CT - 04-PF NPT1/2



Features

FK-CT Series couplings feature:

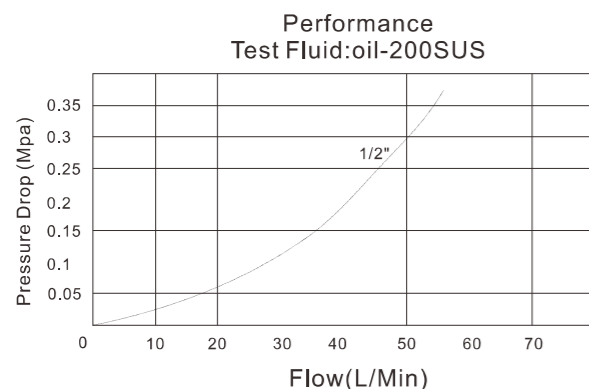
- Double acting sleeve for one handed push-to-connect operation when coupler is clamp or bulkhead mounted.
- Poppet valves available to prevent uncoupled leakage.
- Poppet valves open automatically when coupled. Within rated working pressure, to keep the flow expedite.
- Critical parts are hardened for durability.
- Dependable ball-locking mechanism holds the mating halves together.
- Socket and plug are precision machined from solid bar stock.
- The series conforms to the standard of ISO5675.
- Compatible with PARKER 4250 Series, FASTER CPV-CNV Series.

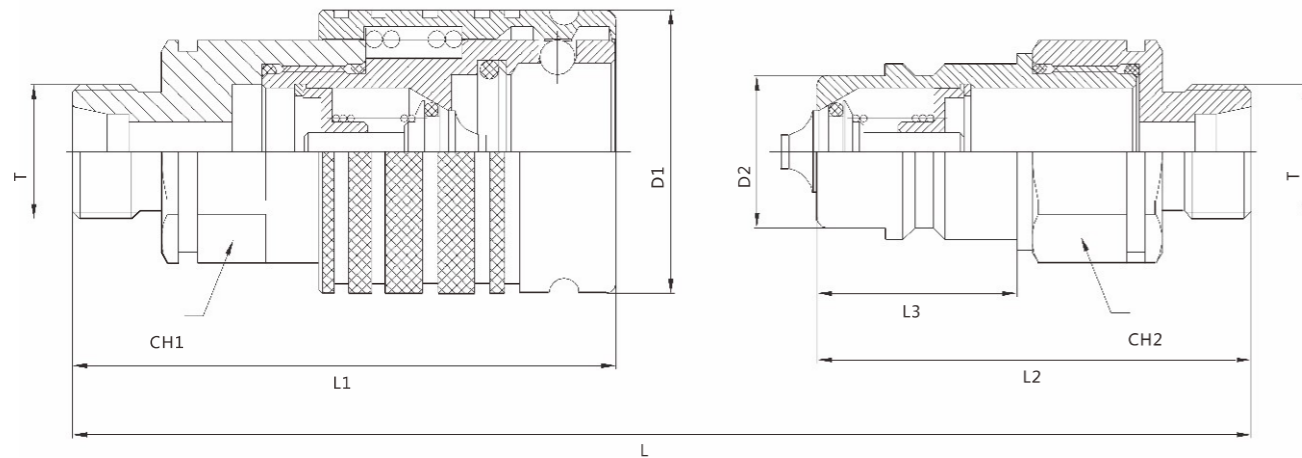


PART No .	L	L1	L2	L3	D1	D2	CH1	Ch2	T
FK-CT-04F3/8	105.5	66	61.5	27	38	20.5	27	27	ZG3/8 G3/8 NPT3/8
FK-CT-04F1/2	111.5	66	61.5	27	38	20.5	27	27	ZG1/2 G1/2 NPT1/2
FK-CT-04F3/4	105.5	69	61.5	27	38	20.5	34	34	ZG3/4 G3/4 NPT3/4
FK-CT-04FM14	105.5	66	61.5	27	38	20.5	27	27	M14*1.5
FK-CT-04FM16	105.5	66	61.5	27	38	20.5	27	27	M16*1.5
FK-CT-04FM18	105.5	66	61.5	27	38	20.5	27	27	M18*1.5
FK-CT-04FM22	88	66	61.5	27	38	20.5	27	27	M22*1.5

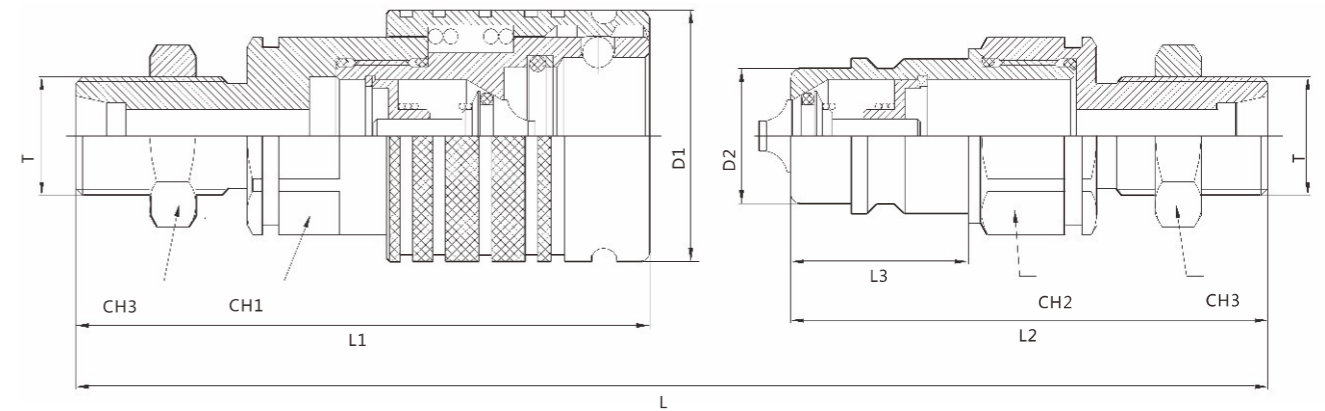
Specifications

Body Size(in)	1 / 2
Rated Pressure(Mpa)	20.7
Rated Flow(L/min)	45.5
Temperature Range(NBR)	-20°C ~ +100°C





PART No .	L	L1	L2	L3	D1	D2	CH1	CH2	T
FK-CT-04-8L	110	73	58	27	38	20.5	27	27	M14*1.5
FK-CT-04-10L	110	73	58	27	38	20.5	27	27	M16*1.5
FK-CT-04-12L	110	73	58	27	38	20.5	34	34	M18*1.5
FK-CT-04-15L	114	75	60	27	38	20.5	27	27	M22*1.5
FK-CT-04-18L	114	75	60	27	38	20.5	27	27	M26*1.5
FK-CT-04-10S	110	73	58	27	38	20.5	27	27	M18*1.5
FK-CT-04-12S	110	73	58	27	38	20.5	27	27	M20*1.5
FK-CT-04-14S	114	75	60	27	38	20.5	27	27	M22*1.5
FK-CT-04-16S	114	75	60	27	38	20.5	27	27	M24*1.5
FK-CT-04-20S	128	77	72	27	38	20.5	30	30	M30*2



PART No .	L	L1	L2	L3	D1	D2	CH1	CH2	CH2	T
FK-CT-04-8LC	138	87	72	27	38	20.5	27	27	19	M14*1.5
FK-CT-04-10LC	138	87	72	27	38	20.5	27	27	24	M16*1.5
FK-CT-04-12LC	138	87	72	27	38	20.5	34	34	24	M18*1.5
FK-CT-04-15LC	142	89	74	27	38	20.5	27	27	27	M22*1.5
FK-CT-04-18LC	142	89	74	27	38	20.5	27	27	30	M26*1.5
FK-CT-04-10SC	138	87	72	27	38	20.5	27	27	24	M18*1.5
FK-CT-04-12SC	138	87	72	27	38	20.5	27	27	27	M20*1.5
FK-CT-04-14SC	142	89	74	27	38	20.5	27	27	27	M22*1.5
FK-CT-04-16SC	142	89	74	27	38	20.5	27	27	30	M24*1.5
FK-CT-04-20SC	156	96	81	27	38	20.5	30	30	36	M30*2